

Patent No. 2,691,007

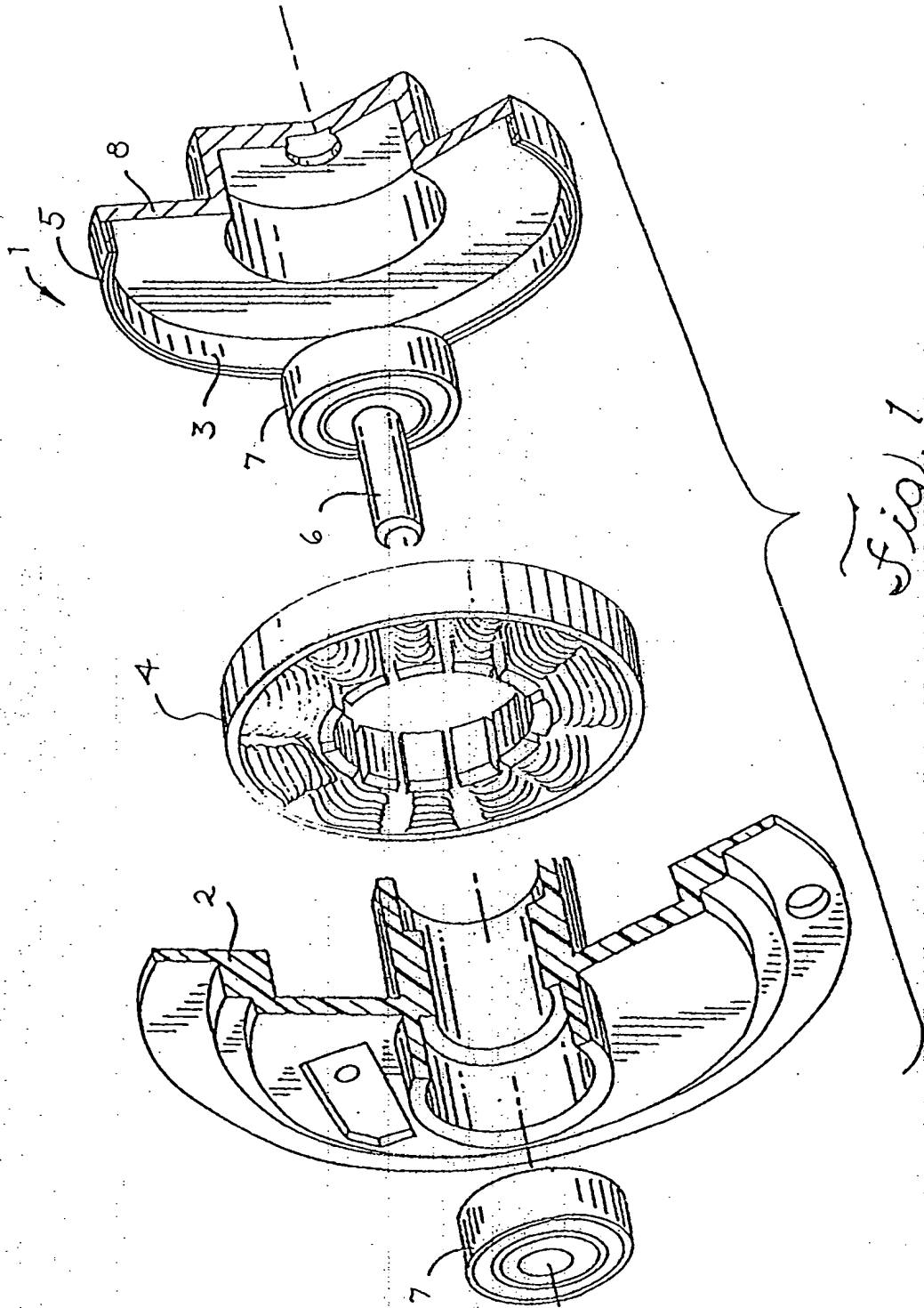


Fig. 1

FIG. 2

10

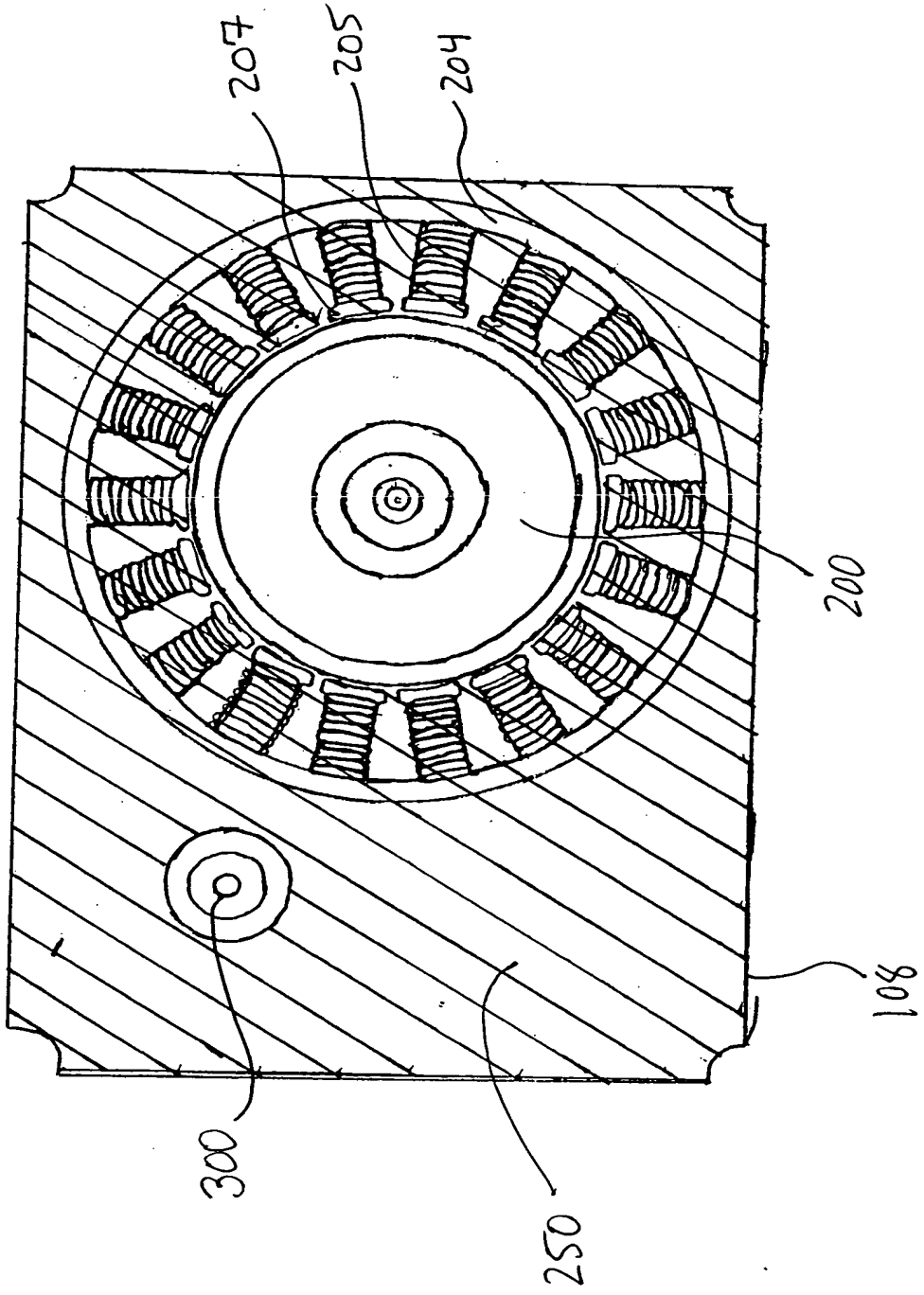


FIG. 3

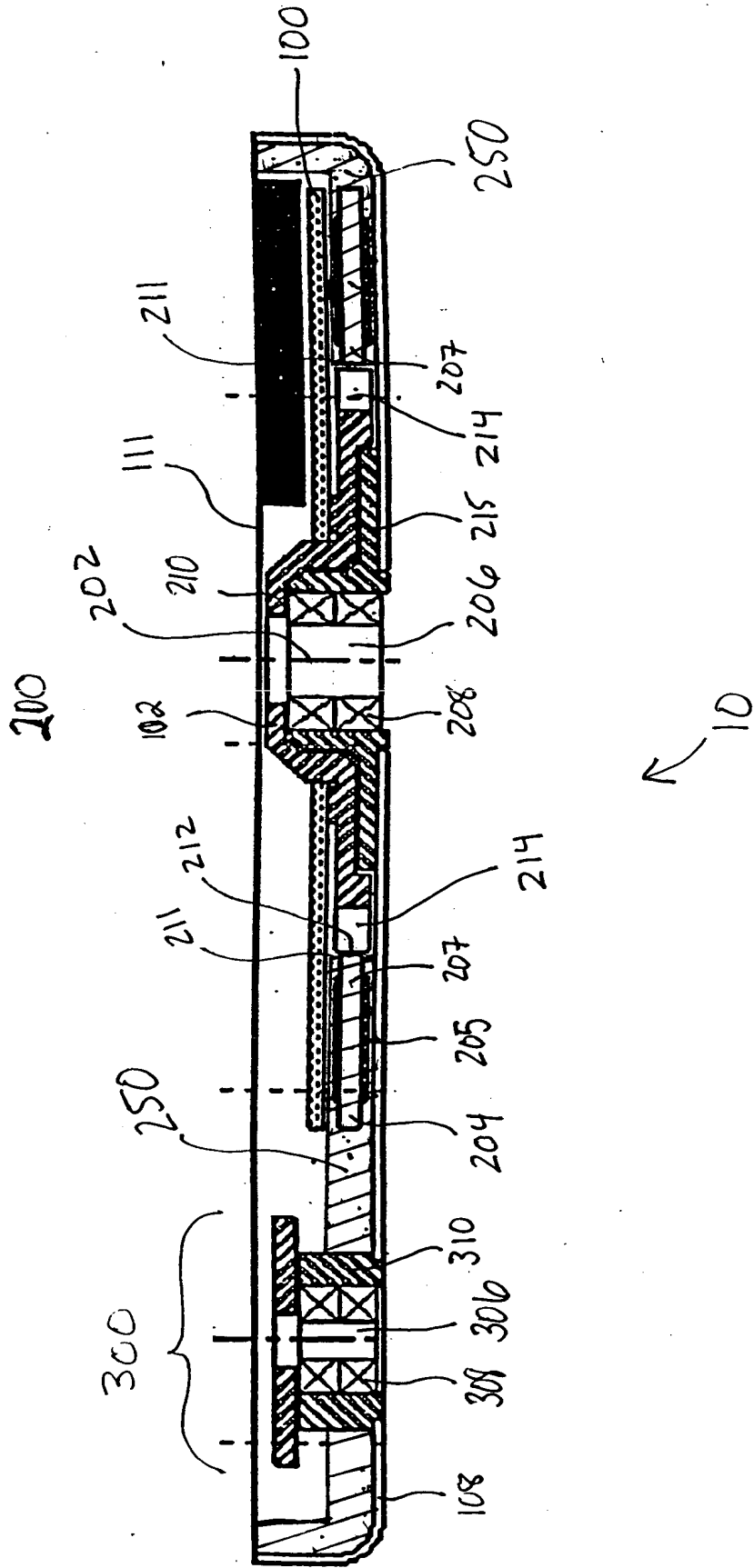
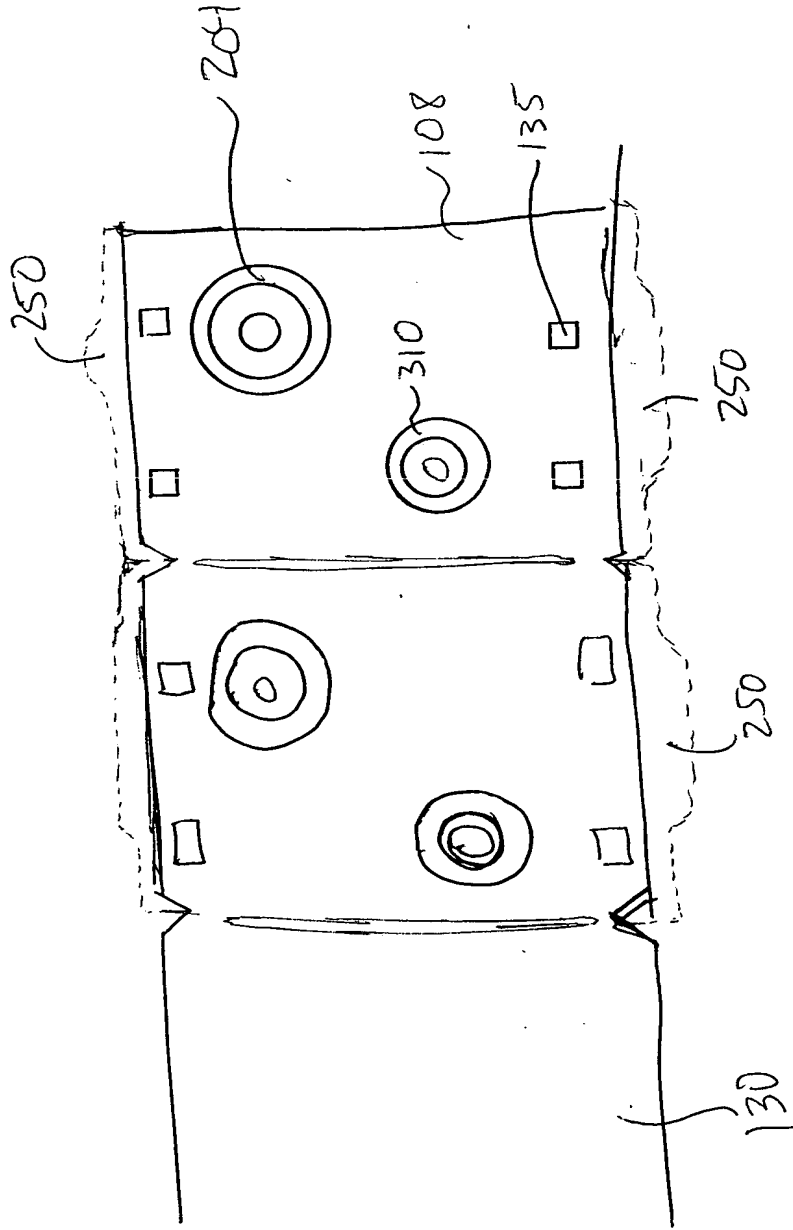


Fig. 4

FIG. 4



FOOT" 259FOOT

FIG. 5

Encapsulated  
actuator (310)

Encapsulated  
Spindle Motor  
stator (204)

Unmolded  
strip  
(130)

Metal  
strip (130)

"Carrier"

Molded (108)  
Drive Frame

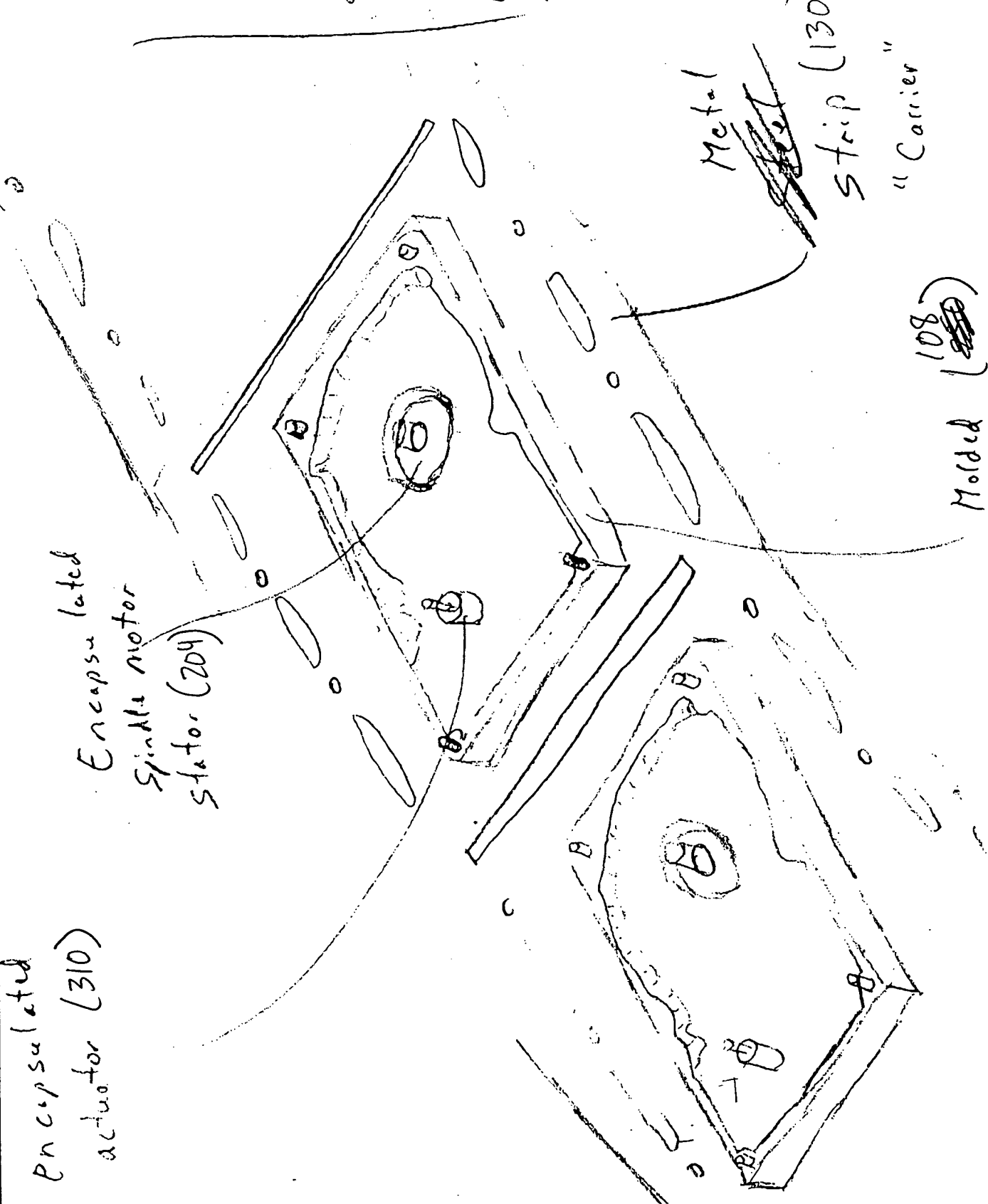


FIG. 6

FOOT 259100T

